



2019

METAL PRODUCTS BLUE BOOK

Contact us for pricing and current inventory.

(970) 249-7922

1/2 X 1/2 X 1/8
3/4 X 3/4 X 1/8
1 X 1 X 1/8
1 X 1 X 3/16
1 X 1 X 1/4
1 1/4 X 1 1/4 X 1/8
1 1/4 X 1 1/4 X 3/16
1 1/4 X 1 1/4 X 1/4
1 1/2 X 1 1/2 X 1/8
1 1/2 X 1 1/2 X 3/16
1 1/2 X 1 1/2 X 1/4
1 3/4 X 1 3/4 X 1/8
1 3/4 X 1 3/4 X 3/16
1 3/4 X 1 3/4 X 1/4
2 X 2 X 1/8
2 X 2 X 3/16
2 X 2 X 1/4
2 X 2 X 3/8
2 1/2 X 2 1/2 X 3/16
2 1/2 X 2 1/2 X 1/4
2 1/2 X 2 1/2 X 3/8
3 X 3 X 3/16
3 X 3 X 1/4
3 X 3 X 3/8
3 X 3 X 1/2
3 1/2 X 3 1/2 X 1/4
3 1/2 X 3 1/2 X 3/8
3 1/2 X 3 1/2 X 1/2
4 X 4 X 5/16

4 X 4 X 1/4
4 X 4 X 3/8
4 X 4 X 1/2
5 X 5 X 5/16
5 X 5 X 3/8
5 X 5 X 1/2
6 X 6 X 5/16
6 X 6 X 3/8
6 X 6 X 1/2
8 X 8 X 1/2

UN Equal Leg

1 1/2 X 2 X 1/8
1 1/2 X 2 X 3/16
1 1/2 X 2 X 1/4
1 1/2 X 2 1/2 X 1/4
2 X 2 1/2 X 3/16
2 X 3 X 3/16
2 X 3 X 1/4
2 X 3 X 3/8
2 1/2 X 3 X 1/4
2 1/2 X 3 1/2 X 1/4
3 X 4 X 1/4
3 X 4 X 3/8
3 X 5 X 1/4
3 X 5 X 3/8
3 X 5 X 1/2
3 1/2 X 5 X 3/8
3 1/2 X 6 X 5/16

4 X 4 X 5/16
4 X 6 X 3/8
4 X 6 X 1/2
4 X 7 X 3/8
4 X 8 X 1/2

Structural Channel

1 X 1/2 X 1/8
1 1/4 X 1/2 X 1/8
1 1/2 X 1/2 X 1/8
1 1/2 X 3/4 X 1/8
2 X 1 X 1/8
2 X 1 X 3/16
3 X 1 1/2 X 4.1
3 X 1 1/2 X 5
4 X 1 5/8 X 5.4
4 X 1 5/8 X 7.25
5 X 1 3/4 X 6.7
5 X 1 3/4 X 9.0
6 X 2 X 8.2
6 X 2 X 10.5
7 X 2 1/8 X 9.8
8 X 2 1/4 X 11.5
8 X 13.7
9 X 13.4
10 X 15.3
10 X 20
10 X 30
12 X 20.7

12 X 30

Junior Channel

8 X 8.5

10 X 8.4

12 X 10.6

C Purlin

4 X 14g 20'

6 X 14g 20' 25' 30'

8 X 14g 20' 25' 30'

8 " PRIMED Zs 14g

Cold Rolled Squares

1/4

5/16

3/8

1/2

5/8

3/4

7/8

1

1 1/4

1 1/2

1 3/4

Cold Rolled Rounds 4140

1

1 1/4

1 7/16
1 1/2
1 15/16
2
2 3/16
2 7/16
2 1/2
2 15/16
3 7/16
3 15/16

Cold Rolled Rounds 1045

1/8
3/16
1/4
5/16
3/8
7/16
1/2
9/16
5/8
3/4
7/8
15/16
1
1 1/8
1 3/16
1 1/4
1 5/16

1 3/8
1 7/16
1 1/2
1 9/16
1 5/8
1 11/16
1 3/4
1 7/8
1 15/16
2
2 3/16
2 1/4
2 3/8
2 7/16
2 1/2
2 15/16
3
3 1/2
4
6

Cold Rolled Rounds 1018

2 7/16
2 1/2
2 15/16

1/8" CD Flats

1/8 X 1/2
1/8 X 5/8
1/8 X 3/4

1/8 X 1
1/8 X 1 1/4
1/8 X 1 1/2
1/8 X 2

1/8 X 2 1/2
1/8 X 3
1/8 X 4
1/8 X 5

3/16" CD Flats

3/16 X 1/2
3/16 X 5/8
3/16 X 3/4
3/16 X 1
3/16 X 1 1/4

3/16 X 1 1/2
3/16 X 2
3/16 X 2 1/2
3/16 X 3
3/16 X 4

1/4" CD Flats

1/4 X 1/2
1/4 X 5/8
1/4 X 3/4
1/4 X 1
1/4 X 1 1/4

1/4 X 1 1/2
1/4 X 2
1/4 X 2 1/2

1/4 X 3

1/4 X 4

5/16" CD Flats

5/16 X 1/2

5/16 X 5/8

5/16 X 3/4

5/16 X 1

5/16 X 1 1/4

5/16 X 1 1/2

5/16 X 2

5/16 X 2 1/2

5/16 X 3

5/16 X 4

3/8" CD Flats

3/8 X 1/2

3/8 X 5/8

3/8 X 3/4

3/8 X 1

3/8 X 1 1/4

3/8 X 1 1/2

3/8 X 2

3/8 X 2 1/2

3/8 X 3

3/8 X 4

1/2" CD Flats

1/2 X 5/8

1/2 X 3/4

1/2 X 1
1/2 X 1 1/4
1/2 X 1 3/8
1/2 X 1 1/2
1/2 X 2
1/2 X 2 1/2
1/2 X 3
1/2 X 4
3/4 X 4
3/4 X 6
1 X 6

Hot Roll Square

1/4 X 1/4
5/16 X 5/16
3/8 X 3/8
1/2 X 1/2
5/8 X 5/8
3/4 X 3/4
1 X 1
1 1/4 X 1 1/4
1 1/2 X 1 1/2
2X2
2-1/4X2-1/4

Hot Roll Rounds

1/4
5/16
3/8
7/16

1/2
5/8
3/4
1
1 1/4
1 1/2

1/8 Flats

1/8 X 1/2
1/8 X 3/4
1/8 X 1
1/8 X 1 1/4
1/8 X 1 1/2
1/8 X 2
1/8 X 2 1/2
1/8 X 3
1/8 X 3 1/2
1/8 X 4
1/8 X 5
1/8 X 6
1/8 X 8
1/8 X 10
1/8 X 12

3/16 Flats

3/16 X 1/2
3/16 X 3/4
3/16 X 1
3/16 X 1 1/4
3/16 X 1 1/2

3/16 X 2
3/16 X 2 1/2
3/16 X 2 3/4
3/16 X 3
3/16 X 3 1/2
3/16 X 4
3/16 X 5
3/16 X 6
3/16 X 8
3/16 X 10
3/16 X 12

1/4 Flats

1/4 X 1/2
1/4 X 3/4
1/4 X 1
1/4 X 1 1/4
1/4 X 1 1/2
1/4 X 2
1/4 X 2 1/2
1/4 X 3
1/4 X 3 1/2
1/4 X 4
1/4 X 4 1/2
1/4 X 5
1/4 X 5 1/2
1/4 X 6
1/4 X 6 1/2
1/4 X 7

1/4 X 8
1/4 X 10
1/4 X 12

5/16 Flats

5/16 X 1 1/2
5/16 X 2
5/16 X 2 1/2
5/16 X 3
5/16 X 4
5/16 X 5
5/16 X 6

3/8 Flats

3/8 X 1/2
3/8 X 3/4
3/8 X 1
3/8 X 1 1/4
3/8 X 1 1/2
3/8 X 2
3/8 X 2 1/2
3/8 X 3
3/8 X 3 1/2
3/8 X 4
3/8 X 5
3/8 X 6
3/8 X 7
3/8 X 8
3/8 X 9
3/8 X 10

3/8 X 12

1/2 Flats

1/2 X 1

1/2 X 1 1/4

1/2 X 1 1/2

1/2 X 2

1/2 X 2 1/2

1/2 X 3

1/2 X 3 1/2

1/2 X 4

1/2 X 5

1/2 X 6

1/2 X 7

1/2 X 8

1/2 X 9

1/2 X 10

1/2 X 12

5/8 Flats

5/8 X 1

5/8 X 1 1/2

5/8 X 2

5/8 X 2 1/2

5/8 X 3

5/8 X 4

5/8 X 5

5/8 X 6

5/8 X 8

5/8 X 10

5/8 X 12

3/4 Flats

3/4 X 1 1/2

3/4 X 2

3/4 X 2 1/2

3/4 X 3

3/4 X 4

3/4 X 5

3/4 X 6

3/4 X 8

3/4 X 10

3/4 X 12

1" Flats

1 X 2

1 X 2 1/2

1 X 3

1 X 4

1 X 6

1 X 8

1 X 10

1 X 12

1 1/2 Flats

1 1/2 X 3

1 1/2 X 4

1 1/2 X 6

1 1/2 X 8

2-3 Flats

2 x 4

2 X 6

2 X 8

3 X 5

3 X 6

Wide Flange Beams

4 X 13

5 X 19

6 X 9

6 X 12

6 X 15

6 X 16

6 X 20

6 X 25

8 X 10

8 X 13

8 X 15

8 X 18

8 X 21

8 X 24

8 X 28

8 X 31

8 X 35

8 X 40

8 X 48

10 X 12

10 X 15

10 X 17
10 X 19
10 X 22
10 X 26
10 X 30
10 X 33
10 X 39
10 X 45
10 X 49
10 X 60
12 X 14
12 X 19
12 X 22
12 X 26
12 X 30
12 X 35
12 X 40
12 X 45
12 X 50
12 X 53
12 X 58
14 X 22
14 X 26
14 X 30
14 X 34
14 X 38
14 X 43
14 X 53
16 X 26

16 X 31

16 X 36

Standard I Beams

3 X 5.7

4 X 7.7

6 X 12.5

8 X 18.4

10 X 25.4

12 X 31.8

T Iron

1 1/2 X 1 1/2 X 3/16

2 X 2 X 1/4

Rebar

#3 (3/8)

1 Ton LIFT - (252)

#4 (1/2) Grade 60

LIFT - (150)

#5 (5/8) Grade 60

LIFT -(96)

#6 (3/4) Grade 60

LIFT - (67)

#7 (7/8) Grade 60

LIFT - (49)

Rebar Stakes

#3 24" STAKES

#3 48" STAKES

#4 18" STAKES
#4 24" STAKES
#5 18" STAKES
#5 24" STAKES
#5 30" STAKES
#6 30" STAKES

Remesh

4X7 Flat

Landscape Edging

Sheared

Rnd Edge

Galv Edge

Landscape Stakes

Nelson Studs

1/2 X3

1/2 X4

1/2 X 6

Square Tubing

1/2 X 1/2 X 16g

3/4 X 3/4 X 16g

1 X 1 X 14g

1 X 1 X .120

1 1/4 X 1 1/4 X 14g

1 1/4 X 1 1/4 X .120

1 1/2 X 1 1/2 X 14g

1 1/2 X 1 1/2 X .120

1 1/2 X 1 1/2 X 3/16
1 3/4 X 1 3/4 X 14g
2 X 2 X 14g
2 X 2 X .120
2 X 2 X 3/16
2 X 2 X 1/4
2 1/2 X 2 1/2 X 1/8
2 1/2 X 2 1/2 X 3/16
2 1/2 X 2 1/2 X 1/4
3 X 3 X 1/8
3 X 3 X 3/16
3 X 3 X 1/4
3 X 3 X 3/8
3 /12 X 3 /12 X 1/8
3 1/2 X 3 1/2 X 3/16
3 1/2 X 3 1/2 X 1/4
4 X 4 X 1/8
4 X 4 X 3/16
4 X 4 X 1/4
4 X 4 X 5/16
4 X 4 X 3/8
4 X 4 X 1/2
4 1/2 X 4 1/2 X 3/16
5 X 5 X 3/16
5 X 5 X 1/4
5 X 5 X 3/8
5 X 5 X 1/2
6 X 6 X 3/16
6 X 6 X 1/4

6 X 6 X 3/8
6 X 6 X 1/2
7 X 7 X 3/16
8 X 8 X 1/4

Rectangle Tubing

1 1/2 X 1 X 14g
1 1/2 X 1 X 11g
1 X 2 X 14g
1 X 2 X 11g
1 X 3 X 11g
1 1/2 X 2 X 14g
1 1/2 X 2 X 11g
1 1/2 X 2 1/2 X 11g
1 1/2 X 3 X 11g
1 1/2 X 3 X 3/16
1 1/2 X 4 X .120
2 X 3 X .120
2 X 3 X 3/16
2 X 3 X 1/4
2 X 4 X 14g
2 X 4 X 1/8
2 X 4 X 3/16
2 X 4 X 1/4
2 X 5 X 1/4
2 X 6 X 14g
2 X 6 X 1/8
2 X 6 X 3/16
2 X 6 X 1/4

2 X 8 X 3/16
2 X 10 X 3/16
2 X 12 X 3/16
3 X 4 X 3/16
3 X 4 X 1/4
3 X 5 X 1/4
3 X 6 X 1/4
3 X 8 X 1/4
4 X 6 X 3/16
4 X 6 X 1/4
4 X 6 X 5/16
4 X 6 X 3/8
4 X 8 X 1/4
6 X 8 X 1/4
5 X 7 X 3/8

Specialty Tubing

2.53.X.2.53.X.1/4

CMP

6"
8"
10"
12"
15"
18"
21"
24"
30"
36"

48"
60" NOT IN STK
72" NOT IN STK
ANNULAR Quote

END Sections

12"
15"
18"
24"
30"
36"

Flat Bottom

15"	17" X 13"
18"	21" X 15"
24"	28" X 20"
30"	35" X 24"
36"	42" X 29"
48"	57" X 38" 12G
60"	NOT IN STK 10G

Schedule 10 (ID)

1 1/4	.109
1 1/2	.109
2	.109
2 1/2	.120
3	.120
3 1/2	.120
4	.120

Schedule 80

1/2	.147
3/4	.154
1	.179
1 1/4	.191
1 1/2	.200
2	.218
2 1/2	.276
3	.300
3 1/2	.318
4	.337
5	.375
6	.432
8	.50

Galv Sch 40

1/2
3/4
1
1 1/4
1 1/2
2
2 1/2
3
4

Schedule 40

1/8
1/4

3/8	
1/2	
3/4	
1	
1 1/4	
1 1/2	
1 1/2 SCH 160	.281
2	
2 SCH 160	.343
2 XXH	.436
2 1/2	
2 1/2 SCH 160 LTD	
3	
3 1/2	
4	
5	.258
6	.280
6	.250
8	.322
10	.365
12	.375
12	.500
<hr/>	
14	.375
16	.312
16	.375
18	.375

OD Tubing
3/4 X .083

1 X .095
1 1/4 X .109
1 1/2 X .109
1 3/4 X .109
2 X .120
3 X .109
3 1/2 X .109
4 X .109
5 X .109
6 X .109
8 X .109
10 X .109
12 X .109

Mechanical Tubing

1 X .760 (.120w)
1.75 X 1.510 (.120w)
2 X 1.760 (.120w)
1 X 1/2
1 1/4 X 5/8
1 1/2 X 3/4
1 1/2 X 1
1 3/4 X 1
2 X 1
2 X 1 5/8
2 X 1 1/4
2 1/4 X 1 1/4
2 1/4 X 1 1/2
2 1/2 X 1 1/2

2 1/2 X 1 3/4
2 3/4 X 2
2 3/4 X 2 3/8
3 X 2 1/4
3 1/4 X 2 1/4
3 1/2 X 2
3 1/2 X 2 1/4
3 1/2 X 2 1/2
4 X 3
4 X 3 1/2
4 1/2 X 2 1/2
4 1/2 X 3
5 X 4
5 3/4 X 4 1/2
6 X 4

Pipe End Caps

1
1 1/4
1 1/2
2
2 1/2
3
3 1/2
4
6
8

Tubing End Caps

1

1 1/4

1 1/2

Square End Caps

1

1 1/4

1 1/2

2

3

3 1/2

4

45' Round

1 1/4

1 1/2

2

90' Round

1

1 1/4

1 1/4 3"R

1 1/2

1 1/2 3"R

2

2 1/2

3

3 1/2

4

5

6
1 1/4" seamless

90' Square

1
1 1/4
1 1/2
2

90' Round

1 1/2

Disks

1 1/2"
2"
2 1/2"
3"
3 1/2 "

RCM 75

16'

20'

24'

RCM Cor-4

16'

20'

24'

RCM 50

16'

20'

24'

RCM Barn Tin

16'

20'

24'

RCM HD Barn Tin

16'

20'

24'

RCM VINTAGE RIB

16'

20'

24'

RCM WEATHERCOATNOT RUSTY****

16'

20'

24'

SS Rod

1/8"

3/16"

1/4"

3/8"

1/2"

5/8"

3/4"

SS Plate

SS 24 G

SS 18G

SS 16 G

SS 14 G

SS 1/8"

SS 3/16"

SS 1/4"

SS 3/8"

SS Perf. Plate

18g 1/4 X 3/8

14g 1/4 X 3/8

Copper

36"X120"X16OZ

SS Screen 12 Mesh

Piano Hinge

1/8 X 2

Perforated Metal Screen

16GA 1/8" Dia Hole

16GA 1/4" Dia Hole

14GA 3/8" Dia Hole

11GA 1/2" Dia Hole

11 GA 3/8" Dia Hole

11 GA 1/8" Dia Hole

11 GA 1/4" Dia Hole

16 GA 1/2" Sq Hole

1/4GA 1/2" Dia Hole

Smooth Floor Grating

1 X 1/8
1 X 3/16
1 1/4 X 3/16
1 1/2 X 3/16
2 X 3/16

Serrated Floor Grating

1 X 3/16
1 1/4 X 3/16
1 1/2 X 3/16

Grip Strut Galv

1 1/2 X 11 1/2
1 1/2 X 9 3/4
1 1/2 X 7

Grip Strut Mill

1 1/2 X 11 1/2
1 1/2 X 9 3/4
1 1/2 X 7

Ladder Rung

1 5/8 3 hole

Expanded Metal

1/2 X #13 F
1/2 X #13 F 5 X 10
3/4 X #9 F

3/4 X #9 R
3/4 X #9 F 5 X 10
1 1/2 X #9 R
1 1/2 X #9 F
1 1/2 X #6 R
1 1/2 X #6 R 4 X 10
GRATING #3
GRATING #5
GRATING #6.25

Fasteners - Wood Grip

Fasteners - Self Tapping / Steel Grip

Floor Decking BW

Random 20'

Corten

18 Gauge 4' x 10' Flat Sheets
22 Gauge 4' x 10' Flat Sheets

Aluminum Angle

1/2 X 1/2 X 1/16
3/4 X 3/4 X 1/16
3/4 X 3/4 X 1/8
1/2 X 1 X 1/8
1 X 1 X 1/8
1 X 1 X 3/16
1 1/4 X 1 1/4 X 1/8
1 1/2 X 1 X 1/8

1 1/2 X 1 1/2 X 1/8
1 1/2 X 1 1/2 X 3/16
1 X 2 X 1/8
1 1/2 X 2 X 3/16
2 X 1 1/2 X 1/8
2 X 2 X 3/16
2 X 2 X 1/4
2 1/2 X 2 1/2 X 3/16
2 1/2 X 2 1/2 X 1/4
3 X 2 X 3/16
3 X 2 X 1/4
3 X 3 X 3/16
3 X 3 X 1/4
4 X 4 X 1/4

Aluminum Channel

1/2 X 1/2 X 3/32
3/4 X 3/4 X 1/8
1 X 1 X 1/16
1 X 1 X 1/8
1 1/2 X 1/2 X 1/8
1 3/4 X 1 X 1/8
2 X 1 X 1/8
3 X .13 alum assn
4 X .15 alum assn

Aluminum Piano Hinge

2 X 1/8 X .062
2 X 1/4 X .090

Aluminum Plate 5052

0.063 (1/16)

0.090 (3/32)

.125 (1/8)

.190 (3/16)

.250 (1/4)

.375 (3/8)

Aluminum Plate 6061

.125 (1/8)

.250 (1/4)

.375 (3/8)

.500 (1/2)

Aluminum Floor Plate 3003 Tred Bright

0.058

1/8

Aluminum Floor Plate 6061

3/16

Aluminum T

1X1X1/8

Expanded Aluminum

3/4 X 8.1

Aluminum Rectangle Tube

1X2X1/8

2X4X1/8

Aluminum Square Tube

3/4 X 3/4 X 16g
3/4 X 3/4 X 1/8
1 X 1 X 1/8
1 1/2 X 1 1/2 X 1/8
2 X 2 X 1/8
3 x 3 x 1/4
4 X 4 X 1/8

Aluminum Pipe Sch 40
.250 OD .035 Wall (12's)

1/4
1/2
3/4
1
1 1/4
1 1/2
2
2 1/2
3
4

Aluminum Solid Rounds

1/4
3/8
1/2
5/8
3/4
7/8
1
1 1/2

2
2 1/4
2 1/2
3
4

AL 1/8" Flats

1/8 X 1/2
1/8 X 3/4
1/8 X 1
1/8 X 1 1/2
1/8 X 2
1/8 X 3

AL 3/16" Flats

3/16 X 1/2
3/16 X 3/4
3/16 X 1
3/16 X 1 1/2
3/16 X 2

AL 1/4" Flats

1/4 X 1/2
1/4 X 3/4
1/4 X 1
1/4 X 1 1/2
1/4 X 2
1/4 X 3
1/4 X 4

AL 3/8" Flats

3/8 X 3/4

3/8 X 1

3/8 X 1 1/4

3/8 X 1 1/2

3/8 X 2

3/8 X 3

3/8 X 4

3/8 X 6

AL 1/2" Flats

1/2 X 3/4

1/2 X 1

1/2 X 1 1/4

1/2 X 1 1/2

1/2 X 2

1/2 X 3

1/2 X 4

1/2 X 8

AL 3/4" Flats

3/4 X 1 1/4

3/4 X 2

3/4 X 2 1/2

3/4 X 3

3/4 X 4

AL 1" Flats

1 X 1

1 X 2

1 X 3
1 X 4
1 X 6

Steel Plate

24 GA
22 GA
18 GA

16 GA
14 GA
12 GA
12 GA 6 X 10
11 GA
10g
3/16"
1/4"
5/16"
3/8"
1/2"
5/8"
3/4"
1"
1 1/4"
1 1/2"
2"

8 X 20's

3/16
1/4
3/8

1/2
5/8
3/4
1

Cold Rolled

16 Ga
14 Ga

Galvanized Plate

24 GA
22 GA
18 GA
16 GA
14 GA
11 GA
Weathercoat

AR Plate

3/16
1/4
3/8
1/2
5/8
3/4
1"
3/8 AR 500
1/2 AR 500

T1 Plate

3/16
1/4
3/8
1/2
3/4
1
1 1/4

Floor Plate

14 GA
11 GA
3/16
1/4
3/8

P & O

11 GA 4X8
7 GA 4X8

Piano Hinge

2 X .060 X 1/8
2 X .120 X 3/8
3 X .060 X 1/8
3 X .060 X 3/16
3 X .060 X 1/8 w/holes
3 X .90 X 1/4
3 X .120 X 3/8
3 X .180 X 1/2

Wire Rope

1/4 IWRC
5/16 IWRC
3/8 IWRC
7/16 IWRC
1/2 IWRC
9/16 IWRC
5/8 IWRC
3/4 IWRC
1 IWRC

Clevises: Forged Steel

1/2
3/4
5/8
1

Banding

3/4 103# Rolls
1/2 100# Rolls
100# Box #9 Wire Soft

Plated All Thread

1/4"
5/16"
3/8"

NUT

1/2"

NUT

WASHER

5/8"

3/4" NUT
WASHER

7/8" NUT
WASHER

1" NUT
WASHER

1 1/4" NUT
WASHER

1 1/2" NUT
WASHER

NUT
WASHER

Turn Buckles

1/2 INC BOLT
5/8 INC BOLT
3/4 INC BOLT
1 INC BOLT

Acme Thread

1"
1" Nuts

Cattle Guards

8' X 1' MODULES

CATTLE GUARD RIBS

Rail

25 LB.

Rabbit Wire / Fire Screen

1/2" GRID

16 GA GALV WELDED

Welded Wire

48" X 120" 1/4" 2" OC

48" X 120" 1/4" 3" OC

48 X 120" 1/4" 4" OC

60" X 120" 1/4" 4" OC

60" x 120" x 1/8" 2" OC

Fire Screen

8 Mesh

Ornamental Wire

4 MESH 1/4 HOLE

Woven Wire

4 X 8 X 1/2" hole X 1/8" thick

Ornamental Stock

5/16 X 1 3/16 Hmrd Flat Bar

5/16 X 2 Hmrd Flat

1/2" Hmrd Sq Solid

5/8" Hmrd Sq Solid

3/4" Hmrd Sq Solid

1" Hmrđ Sq Solid
1/2" Hmrđ Round Solid
7/8" Hmrđ Round Solid
1/2" x 1/2" Hmrđ Sq Tube
3/4" X 3/4" Hmrđ Sq Tube
1" X 1" Hmrđ Sq Tube
1 3/16" x 1 3/16" Hmrđ Sq Tube
1 1/2" X 1 1/2" Hmrđ Sq Tube
2" X 2" Hmrđ Sq Tube
2" X 1" Hmrđ Rec Tube
3" X 1 1/2" Hmrđ Rec Tube
1/2" Square Twist
3/4" Square Twist
1" Square Twist

Tree Bark

1/2" Round Tree Bark
3/4" Round Tree Bark
7/8" Round Tree Bark

Hand Rail Cap

1
1 1/2
1 1/2 Tube Rail
1 9/16" x 1" Angle Handrail

Hand Rail Bracket

Cast Steel
Universal

1 9/16" Plus Sign Twist
3/4" x 4 Rod Twist
3/4" x 4 Rod Straight
1 1/2" Half Round

Twist Flat Bar

1/2 X 3/16
3/4 X 1/4
1 1/4 X 1/4
1 1/4 X 3/8

Twist Solid Round

1/8 X 4 Rods
3/16 X 4 Rods
1/4 X 4 Rods
5/16 X 4 Rods
3/8 X 3 Rods
3/4 X 3 Rods

Angle Twist

3/4 X 4 Sticks
1/2 X 4 Sticks with 1/4 HRO 4 ea

Other Twist

1/4" HR SQ
3/8" Pipe x 3 w/ angle
3/8" Pipe No angle

Bar Size Angle

Size in Inches	Thickness	Wt./Ft.
1/2 x 1/2	x 1/8	0.38
3/4 x 3/4	x 1/8	0.59
1 x 1	x 1/8	0.8
	x 3/16	1.16
	x 1/4	1.49
1 1/4 x 1 1/4	x 1/8	1.01
	x 3/16	1.48
	x 1/4	1.92
1 1/2 x 1 1/2	x 1/8	1.23
	x 3/16	1.8
	x 1/4	2.34
1 3/4 x 1 3/4	x 1/8	1.44
	x 3/16	2.12
	x 1/4	2.77
2 x 1 1/4	x 3/16	1.96
	x 1/4	2.55
2 x 1 1/2	x 1/8	1.44
	x 3/16	2.12
	x 1/4	2.77
2 x 2	x 1/8	1.65
	x 3/16	2.44
	x 1/4	3.19
	x 5/16	3.92
	x 3/8	4.7
2 1/2 x 1 1/2	x 3/16	2.44
	x 1/4	3.19
2 1/2 x 2	x 3/16	2.75
	x 1/4	3.62
	x 5/16	4.5
	x 3/8	5.3
2 1/2 x 2 1/2	x 3/16	3.07
	x 1/4	4.1
	x 5/16	5
	x 3/8	5.9
	x 1/2	7.7

Structural Angle

Size in inches	Thickness	Wt./Ft.
3 x 2	x 3/16	3.07
	x 1/4	4.1
	x 5/16	5
	x 3/8	5.9
	x 1/2	7.7

3 x 2 1/2	x 3/16	3.39
	x 1/4	4.5
	x 5/16	5.6
	x 3/8	6.6
	x 1/2	8.5
3 x 3	x 3/16	3.71
	x 1/4	4.9
	x 5/16	6.1
	x 3/8	7.2
	x 1/2	9.4
3 1/2 x 2 1/2	x 1/4	4.9
	x 5/16	6.1
	x 3/8	7.2
	x 1/2	9.4
3 1/2 x 3	x 1/4	5.4
	x 5/16	6.6
	x 3/8	7
	x 1/2	10.2
3 1/2 x 3 1/2	x 1/4	5.8
	x 5/16	7.2
	x 3/8	8.5
	x 1/2	11.1
4 x 3	x 1/4	5.8
	x 5/16	7.2
	x 3/8	8.5
	x 1/2	11.1
	x 5/8	13.6
4 x 3 1/2	x 1/4	6.2
	x 5/16	7.7
	x 3/8	9.1
	x 1/2	11.9
4 x 4	x 1/4	6.6
	x 5/16	8.2
	x 3/8	9.8
	x 1/2	12.8
	x 5/8	15.7
	x 3/4	18.5
5 x 3	x 1/4	6.6
	x 5/16	8.2
	x 3/8	9.8
	x 1/2	12.8
5 x 3 1/2	x 1/4	7
	x 5/16	8.7
	x 3/8	10.4
	x 1/2	13.6
5 x 5	x 5/16	10.3
	x 3/8	12.3

	x 1/2	16.2
	x 5/8	20
	x 3/4	23.6
6 x 3 1/2	x 1/4	7.9
	x 5/16	9.8
	x 3/8	11.7
	x 1/2	15.3
6 x 4	x 5/16	10.3
	x 3/8	12.3
	x 1/2	16.2
	x 5/8	20
	x 3/4	23.6
6 x 6	x 5/16	12.4
	x 3/8	14.9
	x 1/2	19.6
	x 5/8	24.2
	x 3/4	28.7
	x 1	37.4
7 x 4	x 3/8	13.6
	x 7/16	15.8
	x 1/2	17.9
	x 1/2	22.1
	x 3/4	26.2
8 x 4	x 7/16	17.2
	x 1/2	19.6
	x 5/8	24.2
	x 3/4	28.7
8 x 6	x 7/16	20.2
	x 1/2	23
	x 5/8	28.5
	x 3/4	33.8
	x 1	44.2
8 x 8	x 1/2	26.4
	x 9/16	29.6
	x 5/8	32.7
	x 3/4	38.9
	x 1	51
9 x 4	x 1/2	22.9
9 x 4	x 5/8	25.95

Bar Size Channel	
Size in Inches	Wt./Ft.
1 x 1/2 x 1/8	0.82
1 1/4 x 1/2 x 1/8	1.01
1 1/2 x 1/2 x 1/8	1.12
2 x 1/2 x 1/8	1.43
2 x 1 x 1/8	1.78
3/16	2.32

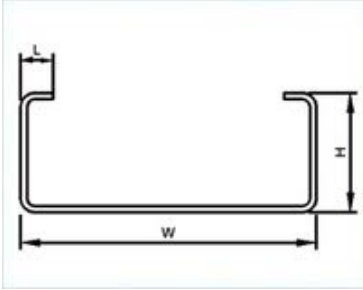
Structural Channel	
Size in inches	Wt./Ft.
3 x 1 1/2	4.1
	5
	6
4 x 1 5/8	5.4
	7.25
5 x 1 3/4	6.7
	9
6 x 2	8.2
	10.5
	13
7 x 2 1/8	9.8
	12.25
	14.75
8 x 2 1/4	11.5
	13.75
	18.75
9 x 2 1/2	13.4
	15
	20
10 x 2 5/8	15.3
	20
	25
	30
12 x 3	20.7
	25
	30
15 3 3/8	25.9
	40
	50

Jr Channel

Size in Inches	Width of Flange	Wt./Ft.
8	1.875	8.5
10	1.127	6.5
10	1.5	8.4
12	1.5	10.6

MC Channel (Ship & Car)		
Size in Inches	Width of Flange	Wt./Ft.
3	1.938	7.1
4	2.5	13.8
6	2.497	12
	2.941	15.1
	3.5	15.3
	3	16.3
	3.504	18
7	3.452	19.1
	3.603	22.7
8	2.978	18.7
	3.025	20
	3.45	21.4
	3.502	22.8
9	3.45	23.9
	3.5	25.4
10	3.45	22
	3.402	25
	3.95	28.5
	4.1	33.6
	4.321	41.1
12	3.67	31
	3.762	35
	3.89	40
	4.01	45
	4.135	50
13	4	31.8
	4.072	35
	4.185	40
	4.412	50
18	3.95	42.7
	4	45.8
	4.1	51.9
	4.2	58

C Purlin



Size (W)	Gauge	Lbs/Ft
4"	14	2.05
6"	14	2.85
8"	14	3.58
10"	14	4.44

Square, Round, and Hex Bars

Hot Roll and Cold Roll Finish

Size in Inches	Rounds Lbs./Ft.	Squares Lbs./Ft.	Hexagons Lbs./Ft.
1/32	0.003	0.003	0.003
1/16	0.01	0.013	0.012
3/32	0.024	0.03	0.026
1/8	0.042	0.053	0.046
5/32	0.065	0.083	0.072
3/16	0.094	0.12	0.104
7/32	0.128	0.163	0.141
1/4	0.167	0.213	0.184
9/32	0.211	0.269	0.233
5/16	0.261	0.332	0.288
11/32	0.316	0.402	0.348
3/8	0.376	0.478	0.414
13/32	0.441	0.561	0.486
7/16	0.511	0.651	0.564
15/32	0.587	0.747	0.647
1/2	0.668	0.85	0.736
17/32	0.754	0.96	0.831
9/16	0.845	1.08	0.932
19/32	0.941	1.2	1.04
5/8	1.043	1.33	1.15
21/32	1.15	1.46	1.27
11/16	1.26	1.61	1.4
23/32	1.38	1.76	1.52
3/4	1.5	1.91	1.66
25/32	1.63	2.08	1.8
13/16	1.76	2.25	1.94
27/32	1.9	2.42	2.1
7/8	2.05	2.61	2.25
29/32	2.2	2.8	2.42
15/16	2.35	2.99	2.59
31/32	2.51	3.19	2.76
1	2.67	3.4	2.95
1 1/16	3.02	3.84	3.32
1 1/8	3.38	4.3	3.73
1 13/16	3.77	4.8	4.15
1 1/4	4.17	5.32	4.6
1 5/16	4.6	5.86	5.07
1 3/8	5.05	6.43	5.57
1 7/16	5.52	7.03	6.09
1 1/2	6.01	7.66	6.63

1 9/16	6.52	8.3	7.19
1 5/8	7.05	8.98	7.78
1 11/16	7.6	9.68	8.39
1 3/4	8.18	10.41	9.02
1 13/16	8.77	11.17	9.67
1 7/8	9.39	11.95	10.35
1 15/16	10.02	12.76	11.05
2	10.68	13.6	11.78
2 1/16	11.36	14.46	12.53
2 1/8	12.06	15.35	13.3
2 3/16	12.78	16.27	14.09
2 1/4	13.52	17.21	14.91
2 5/16	14.28	18.18	15.75
2 3/8	15.06	19.18	16.61
2 7/16	15.87	20.2	17.49
2 1/2	16.69	21.25	18.4
2 5/8	18.4	23.43	20.29
2 3/4	20.19	25.71	22.27
2 7/8	22.07	28.1	24.34
3	24.03	30.6	26.5
3 1/8	26.08	33.2	28.76
3 1/4	28.21	35.91	31.1
3 3/8	30.42	38.73	33.54
3 1/2	32.71	41.65	36.07
3 5/8	35.09	44.68	38.69
3 3/4	37.55	47.81	41.41
3 7/8	40.1	51.05	44.21
4	42.73	54.4	47.11
4 1/8	45.44	57.85	50.1
4 1/4	48.23	61.41	53.18
4 3/8	51.11	65.08	56.36
4 1/2	54.08	68.85	59.63
4 5/8	57.12	72.73	62.98
4 3/4	60.25	76.71	66.44
4 7/8	63.46	80.8	69.98
5	66.76	85	73.61
5 1/8	70.14	89.3	77.34
5 1/4	73.6	93.71	81.16
5 3/8	77.15	98.23	85.07
5 1/2	80.78	102.85	89.07
5 5/8	84.49	107.58	93.16
5 3/4	88.29	112.41	97.35
5 7/8	92.17	117.35	101.63
6	96.13	122.4	106

Hot Rolled and Cold Rolled Flats

Thickness	Size in Inches	Wt./Ft.
1/4 x	1/2	0.425
	5/8	0.531
	3/4	0.638
	7/8	0.744
	1	0.85
	1 1/8	0.956
	1 1/4	1.06
	1 3/8	1.17
	1 1/2	1.28
	1 5/8	1.38
	1 3/4	1.49
	1 7/8	1.59
	2	1.7
	2 1/8	1.81
	2 1/4	1.91
	2 3/8	2.02
	2 1/2	2.13
	2 5/8	2.23
	2 3/4	2.34
	2 7/8	2.44
	3	2.55
	3 1/8	2.66
	3 1/4	2.76
	3 3/8	2.87
	3 1/2	2.98
	3 5/8	3.08
	3 3/4	3.19
	3 7/8	3.29
	4	3.4
	4 1/4	3.61
	4 1/2	3.83
	4 3/4	4.04
	5	4.25
	5 1/4	4.46
	5 1/2	4.68
	5 3/4	4.89
	6	5.1
	7	5.95
	7 1/2	6.38
	8	6.8
	9	7.65

	10	8.5
	11	9.35
	12	10.2
5/16 x	1/2	0.531
	3/4	0.797
	7/8	0.93
	1	1.06
	1 1/8	1.2
	1 1/4	1.33
	1 3/8	1.46
	1 1/2	1.59
	1 5/8	1.73
	1 3/4	1.86
	1 7/8	1.99
	2	2.13
	2 1/8	2.26
	2 1/4	2.39
	2 3/8	2.52
	2 1/2	2.66
	2 5/8	2.79
	2 3/4	2.92
	2 7/8	3.06
	3	3.19
	3 1/8	3.32
	3 1/4	3.45
	3 3/8	3.59
	3 1/2	3.72
	3 5/8	3.85
	3 3/4	3.98
	3 7/8	4.12
	4	4.25
	4 1/4	4.52
	4 1/2	4.78
	4 3/4	5.05
	5	5.31
	5 1/4	5.58
	5 1/2	5.83
	5 3/4	6.11
	6	6.38
	7	7.44
	8	8.5
	9	9.56
	10	10.63
	12	12.75
3/8 x	1/2	0.638
	3/4	0.956
	7/8	1.12

	1	1.28
	1 1/8	1.43
	1 1/4	1.59
	1 3/8	1.75
	1 1/2	1.91
	1 5/8	2.07
	1 3/4	2.23
	1 7/8	2.39
	2	2.55
	2 1/8	2.71
	2 1/4	2.87
	2 3/8	3.03
	2 1/2	3.19
	2 5/8	3.35
	2 3/4	3.51
	2 7/8	3.67
	3	3.83
	3 1/8	3.98
	3 1/4	4.14
	3 3/8	4.3
	3 1/2	4.46
	3 5/8	4.62
	3 3/4	4.78
	3 7/8	4.94
	4	5.1
	4 1/4	5.42
	4 1/2	5.74
	4 3/4	6.06
	5	6.38
	5 1/4	6.7
	5 1/2	7.01
	5 3/4	7.33
	6	7.65
	7	8.93
	8	10.2
	9	11.48
	10	12.75
	11	14.03
	12	15.3
1/2 x	3/4	1.28
	1	1.7
	1 1/4	2.13
	1 1/2	2.55
	1 3/4	2.98
	2	3.4
	2 1/4	3.83
	2 1/2	4.25

	2 3/4	4.68
	3	5.1
	3 1/4	5.53
	3 1/2	5.95
	3 3/4	6.38
	4	6.8
	4 1/4	7.23
	4 1/2	7.65
	4 3/4	8.08
	5	8.5
	5 1/4	8.93
	5 1/2	9.35
	5 3/4	9.78
	6	10.2
	7	11.9
	8	13.6
	9	15.3
	10	17
	11	18.7
	12	20.4
5/8 x	1	2.13
	1 1/4	2.66
	1 1/2	3.19
	1 3/4	3.72
	2	4.25
	2 1/4	4.78
	2 1/2	5.31
	2 3/4	5.84
	3	6.38
	3 1/4	6.91
	3 1/2	7.44
	3 3/4	7.97
	4	8.5
	4 1/4	9.03
	4 1/2	9.56
	4 3/4	10.09
	5	10.63
	5 1/4	11.16
	5 1/2	11.69
	5 3/4	12.22
	6	12.75
	7	14.88
	8	17
	9	19.13
	10	21.25
	11	23.4
	12	25.5

3/4 x	1	2.55
	1 1/4	3.19
	1 1/2	3.83
	1 3/4	4.46
	2	5.1
	2 1/4	5.74
	2 1/2	6.38
	2 3/4	7.01
	3	7.65
	3 1/4	8.29
	3 1/2	8.93
	3 3/4	9.56
	4	10.2
	4 1/4	10.84
	4 1/2	11.48
	4 3/4	12.11
	5	12.75
	5 1/4	13.39
	5 1/2	14.03
	5 3/4	14.66
	6	15.3
	7	17.85
	8	20.4
	9	22.95
	10	25.5
	12	30.6
7/8 x	1	2.98
	1 1/4	3.72
	1 1/2	4.46
	1 3/4	5.21
	2	5.95
	2 1/4	6.69
	2 1/2	7.44
	2 3/4	8.18
	3	8.93
	3 1/4	9.67
	3 1/2	10.41
	3 3/4	11.16
	4	11.9
	4 1/4	12.64
	4 1/2	13.39
	4 3/4	14.13
	5	14.88
	5 1/4	15.62
	5 1/2	16.36
	5 3/4	17.11
	6	17.85

	7	20.83
	8	23.8
	10	29.75
	12	35.7
1 x	1 1/4	4.25
	1 1/2	5.1
	1 3/4	5.95
	2	6.8
	2 1/4	7.65
	2 1/2	8.5
	2 3/4	9.35
	3	10.2
	3 1/4	11.05
	3 1/2	11.9
	3 3/4	12.75
	4	13.6
	4 1/4	14.45
	4 1/2	15.3
	4 3/4	16.15
	5	17
	5 1/4	17.85
	5 1/2	18.7
	5 3/4	19.55
	6	20.4
	7	23.8
	8	27.2
	9	30.6
	10	34
	12	40.8
1 1/8 x	2	7.65
	2 1/2	9.56
	3	11.48
	4	15.3
	5	19.13
	5 1/2	21.04
	6	22.95
1 1/4 x	1 1/2	6.38
	1 3/4	7.44
	2	8.5
	2 1/4	9.56
	2 1/2	10.63
	2 3/4	11.69
	3	12.75
	3 1/4	13.81
	3 1/2	14.88
	4	17
	4 1/2	19.13

	5	21.25
	5 1/2	23.38
	6	25.5
	7	29.75
	8	34
	9	38.25
	10	42.5
	12	51
1 3/8 x	1 3/4	8.93
	2	10.2
	2 1/4	11.48
	2 1/2	12.75
1 1/2 x	2 3/4	14.03
	3	15.3
	3 1/2	17.85
	4	20.4
	4 1/2	22.95
	5	25.5
	5 1/2	28.05
	6	30.6
	7	35.7
	8	40.8
	10	51
	12	61.2
1 3/4 x	2	11.9
	2 1/2	14.88
	2 3/4	16.36
	3	17.85
	3 1/2	20.83
	4	23.8
	4 1/2	26.78
	5	29.75
	6	35.7
	8	47.6
2 x	2 1/4	15.3
	2 1/2	17
	3	20.4
	3 1/2	23.8
	4	27.2
	4 1/2	30.6
	5	34
	6	40.8
	7	47.6
	8	54.4
	9	61.2
	10	68
	12	81.6

2 1/4 x	3	22.95
	4	30.6
2 1/2 x	3	25.5
	3 1/2	29.75
	4	34
	4 1/2	38.25
	5	42.5
	6	51
3 x	4	40.8
	4 1/2	45.9
	5	51
	6	61.2

Wide Flange Beams

Size in.	Wt./Ft.	Depth of Section	Flange Width	Flange Thickness	Web Thickness
4 x 4	13	4.16	4.06	0.345	0.28
5 x 5	16	5.01	5	0.36	0.24
	19	5.15	5.03	0.43	0.27
6 x 4	9	5.9	3.94	0.215	0.17
	12	6.03	4	0.28	0.23
	16	6.28	4.03	0.405	0.26
6 x 6	15	5.99	5.99	0.26	0.23
	20	6.2	6.02	0.365	0.26
	25	6.38	6.08	0.455	0.32
8 x 4	10	7.89	3.94	0.205	0.17
	13	7.99	4	0.255	0.23
	15	8.11	4.015	0.315	0.245
8 x 5 1/4	18	8.14	5.25	0.33	0.23
	21	8.28	5.27	0.4	0.25
8 x 6 1/2	24	7.93	6.495	0.4	0.245
	28	8.06	6.535	0.465	0.285
8 x 8	31	8	7.995	0.435	0.285
	35	8.12	8.02	0.495	0.31
	40	8.25	8.07	0.56	0.36
	48	8.5	8.11	0.685	0.4
	58	8.75	8.22	0.81	0.51
	67	9	8.28	0.935	0.57
10 x 4	12	9.87	3.96	0.21	0.19
	15	9.99	4	0.27	0.23
	17	10.11	4.01	0.33	0.24
	19	10.24	4.02	0.395	0.25
10 x 5 3/4	22	10.17	5.75	0.36	0.24
	26	10.33	5.77	0.44	0.26
	30	10.47	5.81	0.51	0.3
10 x 8	33	9.73	7.96	0.435	0.29
	39	9.92	7.985	0.53	0.315
	45	10.1	8.02	0.62	0.35
10 x 10	49	9.98	10	0.56	0.34
	54	10.09	10.03	0.615	0.37
	60	10.22	10.08	0.68	0.42
	68	10.4	10.13	0.77	0.47
	77	10.6	10.19	0.87	0.53
	88	10.84	10.265	0.99	0.605
	100	11.1	10.34	1.12	0.68

	112	11.36	10.415	1.25	0.755
12 x 4	14	11.91	3.97	0.225	0.2
	16	11.99	3.99	0.265	0.22
	19	12.16	4.005	0.35	0.235
	22	12.31	4.03	0.425	0.26
12 x 6 1/2	26	12.22	6.49	0.38	0.23
	30	12.34	6.52	0.44	0.26
	35	12.5	6.56	0.52	0.3
12 x 8	40	11.94	8.005	0.515	0.295
	45	12.06	8.045	0.575	0.335
	50	12.19	8.08	0.64	0.37
12 x 10	53	12.06	9.995	0.575	0.345
	58	12.19	10.01	0.64	0.36
12 x 12	65	12.12	12	0.605	0.39
	72	12.25	12.04	0.67	0.43
	79	12.38	12.08	0.735	0.47
	87	12.53	12.125	0.81	0.515
	96	12.71	12.16	0.9	0.55
	106	12.89	12.22	0.99	0.61
	120	13.12	12.32	1.105	0.71
	136	13.41	12.4	1.25	0.79
	152	13.71	12.48	1.4	0.87
	170	14.03	12.57	1.56	0.96
	190	14.38	12.67	1.735	1.06
	210	14.71	12.79	1.9	1.18
	230	15.05	12.895	2.07	1.285
	252	15.41	13.005	2.25	1.395
	279	15.85	13.14	2.47	1.53
	305	16.32	13.235	2.705	1.625
	336	16.82	13.385	2.955	1.775
14 x 5	22	13.74	5	0.335	0.23
	26	13.91	5.025	0.42	0.225
14 x 6 3/4	30	13.84	6.73	0.385	0.27
	34	13.98	6.745	0.455	0.285
	38	14.1	6.77	0.515	0.31
14 x 8	43	13.66	7.995	0.53	0.305
	48	13.79	8.03	0.595	0.34
	53	13.92	8.06	0.66	0.37
14 x 10	61	13.89	9.995	0.645	0.375
	68	14.04	10.035	0.72	0.415
	74	14.17	10.07	0.785	0.45
	82	14.31	10.13	0.855	0.51
14 x 14 1/2	90	14.02	14.52	0.71	0.44
	99	14.16	14.565	0.78	0.485
	109	14.32	14.605	0.86	0.525
	120	14.48	14.67	0.94	0.59
	132	14.66	14.725	1.03	0.645

14 x 16	145	14.78	15.5	1.09	0.68
	159	14.98	15.565	1.19	0.745
	176	15.22	15.65	1.31	0.83
	193	15.48	15.71	1.44	0.89
	211	15.72	15.8	1.56	0.98
	233	16.04	15.89	1.72	1.07
	257	16.38	15.995	1.89	1.175
	283	16.74	16.11	2.07	1.29
	311	17.12	16.23	2.26	1.41
	342	17.54	16.36	2.47	1.54
	370	17.92	16.475	2.66	1.655
	398	18.29	16.59	2.845	1.77
	426	18.67	16.695	3.035	1.875
	455	19.02	16.835	3.21	2.015
	500	19.6	17.101	3.5	2.19
	550	20.24	17.2	3.82	2.38
	605	20.92	17.415	4.16	2.595
	665	21.64	17.65	4.52	2.83
	730	22.42	17.89	4.91	3.07
16 x 5 1/2	26	15.59	5.5	0.345	0.25
	31	15.88	5.525	0.44	0.275
16 x 7	36	15.86	6.985	0.43	0.295
	40	16.01	6.995	0.505	0.305
	45	16.13	7.035	0.565	0.345
	50	16.26	7.07	0.63	0.38
	57	16.43	7.12	0.715	0.43
16 x 10 1/4	67	16.33	10.235	0.665	0.395
	77	16.52	10.295	0.76	0.455
	89	16.75	10.365	0.875	0.525
	100	16.97	10.425	0.985	0.585
18 x 6	35	17.7	6	0.425	0.3
	40	17.9	6.015	0.525	0.315
	46	18.06	6.06	0.605	0.36
18 x 7 1/2	50	17.99	7.495	0.57	0.355
	55	18.11	7.53	0.63	0.39
	60	18.24	7.555	0.695	0.415
	65	18.35	7.59	0.75	0.45
	71	18.47	7.635	0.81	0.495
18 x 11	76	18.21	11.035	0.68	0.425
	86	18.39	11.09	0.77	0.48
	97	18.59	11.145	0.87	0.535
	106	18.73	11.2	0.94	0.59
	119	18.87	11.265	1.06	0.655
	130	19.25	11.16	1.2	0.67
	143	19.49	11.22	1.32	0.73
	158	19.72	11.3	1.44	0.81
	175	20.04	11.375	1.59	0.89

	192	20.35	11.455	1.75	0.96
	211	20.67	11.555	1.91	1.06
	234	21.06	11.65	2.11	1.16
	258	21.46	11.77	2.3	1.28
	283	21.85	11.89	2.5	1.4
	311	22.32	12.005	2.74	1.52
21 x 6 1/2	44	20.66	6.5	0.45	0.35
	50	20.83	6.53	0.535	0.38
	57	21.06	6.555	0.65	0.405
21 x 8 1/4	62	20.99	8.42	0.615	0.4
	68	21.13	8.27	0.685	0.43
	73	21.24	8.295	0.74	0.455
	83	21.43	8.355	0.835	0.515
	93	21.62	8.42	0.93	0.58
21 x 12 1/4	101	21.36	12.29	0.8	0.5
	111	21.51	12.34	0.875	0.55
	122	21.68	12.39	0.96	0.6
	132	21.83	12.44	1.035	0.65
	147	22.06	12.51	1.15	0.72
	166	22.48	12.42	1.36	0.75
24 x 7	55	23.57	7.005	0.505	0.395
	62	23.74	7.04	0.59	0.43
24 x 9	68	23.73	8.965	0.585	0.415
	76	23.92	8.99	0.68	0.44
	84	24.1	9.02	0.77	0.47
	94	24.31	9.065	0.875	0.515
	103	24.53	9	0.98	0.55
24 x 12 3/4	104	24.06	12.75	0.75	0.5
	117	24.26	12.8	0.85	0.55
	131	24.48	12.855	0.96	0.695
	146	24.74	12.9	1.09	0.65
	162	25	12.955	1.22	0.705
	176	25.24	12.89	1.34	0.75
	192	25.47	12.95	1.46	0.81
	207	25.71	13.01	1.57	0.87
	229	26.02	13.11	1.73	0.96
	250	26.34	13.185	1.89	1.04
	279	26.73	13.305	2.09	1.16
27 x 10	84	26.71	9.96	0.64	0.46
	94	26.92	9.99	0.745	0.49
	102	27.09	10.015	0.83	0.505
	114	27.29	10.07	0.93	0.57
	129	27.63	10.01	1.1	0.61
27 x 14	146	27.38	13.965	0.975	0.605
	161	27.59	14.02	1.08	0.66
	178	27.81	14.085	1.19	0.725
	194	28.11	14.035	1.34	0.75

	235	28.66	14.19	1.61	0.91
	258	28.98	14.27	1.77	0.98
	307	29.61	14.445	2.09	1.16
	368	30.39	14.665	2.48	1.38
30 x 10 1/2	90	29.53	10.4	0.61	0.47
	99	29.65	10.45	0.67	0.52
	108	29.83	10.475	0.76	0.545
	116	30.01	10.495	0.85	0.565
	124	30.17	10.515	0.93	0.585
	132	30.31	10.545	1	0.615
	148	30.67	10.48	1.18	0.65
30 x 15	173	30.44	14.985	1.065	0.655
	191	30.68	15.04	1.185	0.71
	211	30.94	15.105	1.135	0.775
	235	31.3	15.055	1.5	0.83
	261	31.61	15.155	1.65	0.93
	292	32.01	15.255	1.85	1.02
	326	32.4	15.37	2.05	1.14
	357	32.8	15.47	2.24	1.24
	391	33.19	15.59	2.44	1.36
33 x 11 1/2	118	32.86	11.48	0.74	0.55
	130	33.09	11.51	0.855	0.58
	141	33.3	11.535	0.96	0.605
	152	33.49	11.565	1.055	0.635
33 x 15 1/4	169	33.82	11.5	1.22	0.67
	201	33.68	15.745	1.15	0.715
	221	33.93	15.805	1.275	0.775
	241	34.18	15.86	1.4	0.83
	263	34.53	15.805	1.57	0.87
	291	34.84	15.905	1.73	0.96
	318	35.16	15.985	1.89	1.04
	354	35.55	16.1	2.09	1.16
36 x 12	135	35.55	11.95	0.79	0.6
	150	35.85	11.975	0.94	0.625
	160	36.01	12	1.02	0.65
	170	36.17	12.03	1.1	0.68
	182	36.33	12.075	1.18	0.725
	194	36.49	12.115	1.26	0.765
	210	36.69	12.18	1.36	0.83
	232	37.12	12.12	1.57	0.87
	256	37.43	12.215	1.73	0.96
36 x 16 1/2	230	35.6	16.47	1.26	0.76
	245	36.08	16.51	1.35	0.8
	260	36.26	16.55	1.44	0.84
	280	36.52	16.595	1.57	0.885
	300	36.74	16.655	1.68	0.945
	328	37.09	16.63	1.85	1.02

	359	37.4	16.73	2.01	1.12
	393	37.8	16.83	2.2	1.22
	439	38.26	16.965	2.44	1.36
	527	39.21	17.22	2.91	1.61
	650	40.47	17.575	3.54	1.97
	798	41.97	17.99	4.29	2.38
	848	42.45	18.13	4.53	2.52
40 x 12	149	38.2	11.81	0.83	0.63
	167	38.59	11.81	1.025	0.65
	183	38.98	11.81	1.22	0.65
	211	39.37	11.81	1.415	0.75
	235	39.69	11.89	1.575	0.83
	264	40	11.93	1.73	0.96
	278	40.16	11.969	1.811	1.024
	331	40.79	12.165	2.126	1.22
	392	41.57	12.362	2.52	1.417
	466	42.44	12.638	2.953	1.673
40 x 16	174	38.2	15.748	0.827	0.65
	199	38.67	15.75	1.065	0.65
	215	38.98	15.75	1.22	0.65
	249	39.38	15.75	1.42	0.75
	277	39.69	15.83	1.575	0.83
	297	39.84	15.825	1.65	0.93
	372	40.63	16.063	2.047	1.161
44 x 16	230	42.91	15.748	1.22	0.709
	262	43.31	15.748	1.417	0.878
	290	43.62	15.827	1.575	0.866
	335	44.02	15.945	1.772	1.024

Standard I Beams

Size in inches	Width of flange	Wt./Ft.
3	2.33	5.7
	2.509	7.5
4	2.663	7.7
	2.796	9.5
5	3.004	10
6	3.332	12.5
	3.565	17.25
7	3.362	15.3
8	4.001	18.4
	4.101	23
10	4.661	25.4
	4.944	35
12	5	31.8
	5.078	35
	5.252	40.8

	5.477	50
15	5.501	42.9
	5.64	50
18	6.001	54.7
	6.251	70
20	6.255	66
	6.385	75
	7.06	86
	7.2	96
24	7	80
	7.125	90
	7.245	100
	7.87	106
	8.05	121

Jr Beams

Size in Inches	Wt./Ft.
6	4.4
8	6.5
10	9
12	11.8

Concrete Reinforcing Bar

GR40 and GR60

Size in Inches	Number	Wt./Ft.
1/4	#2	0.167
3/8	#3	0.376
1/2	#4	0.668
5/8	#5	1.043
3/4	#6	1.502
7/8	#7	2.044
1	#8	2.67
1 1/8	#9	3.4
1 1/4	#10	4.303
1 3/8	#11	5.313
1 3/4	#14	7.65
2 1/4	#18	13.6

Square Tubing

Size in Inches	Gauge	Wall Thickness	Wt./Ft.
1/2"	18	0.049	0.301
	16	0.063	0.384
3/4"	16	0.063	0.605
	11	0.12	1.03
1"	18	0.049	0.634
	16	0.063	0.827
	15	0.072	0.906
	14	0.083	1.04
	13	0.095	1.17
	12	0.109	1.32
1 1/4"	11	0.12	1.44
	16	0.063	1.05
	14	0.083	1.32
1 1/2"	11	0.12	1.84
	16	0.063	1.27
	14	0.083	1.6
	11	0.12	2.25
	3/16	0.188	3.04
2"	16	0.063	1.71
	14	0.083	2.1
	11	0.12	3.05
	3/16	0.1875	4.32
	1/4	0.25	5.41
2 1/2"	14	0.083	2.67
	11	0.12	3.9
	3/16	0.1875	5.59
	1/4	0.25	7.11
3"	14	0.083	3.23
	11	0.12	4.75
	3/16	0.1875	6.87
	1/4	0.25	8.81
	5/16	0.3125	10.58
	3/8	0.375	12.16
3 1/2"	11	0.12	5.6
	3/16	0.1875	8.15
	1/4	0.25	10.51
	5/16	0.3125	12.7
	3/8	0.375	14.72
4"	11	0.12	6.45
	3/16	0.1875	9.42
	1/4	0.25	12.21
	5/16	0.3125	14.83
	3/8	0.375	17.27

	1/2	0.5	21.63
4 1/2"	3/16	0.1875	10.7
	1/4	0.25	13.91
5"	3/16	0.1875	11.97
	1/4	0.25	15.62
	5/16	0.3125	19.08
	3/8	0.375	22.37
	1/2	0.5	28.43
6"	3/16	0.1875	14.53
	1/4	0.25	19.02
	5/16	0.3125	23.34
	3/8	0.375	27.48
	1/2	0.5	35.24
	5/8	0.625	42.27
7"	3/16	0.1875	17.08
	1/4	0.25	22.42
	5/16	0.3125	27.59
	3/8	0.375	32.58
	1/2	0.5	42.05
	5/8	0.625	50.77
8"	3/16	0.1875	19.63
	1/4	0.25	25.82
	5/16	0.3125	31.84
	3/8	0.375	37.69
	1/2	0.5	48.85
	5/8	0.625	59.32
9"	5/16	0.3125	36.1
	3/8	0.375	42.79
	1/2	0.5	55.66
	5/8	0.625	67.82
10"	3/16	0.1875	24.73
	1/4	0.25	32.63
	5/16	0.3125	40.35
	3/8	0.375	47.9
	1/2	0.5	62.46
	5/8	0.625	76.33
12"	1/4	0.25	39.43
	5/16	0.3125	48.86
	3/8	0.375	58.1
	1/2	0.5	76.07
	5/8	0.625	93.25
14"	5/16	0.3125	57.36
	3/8	0.375	68.31
	1/2	0.5	89.68
	5/8	0.625	110.36
16"	5/16	0.3125	65.87
	3/8	0.375	78.52

	1/2	0.5	103.3
	5/8	0.625	127.37

Rectangular Tubing

1/2 x 1	14	0.083	1.32
	11	0.12	1.84
2 x 1	16	0.063	1.27
	14	0.083	1.6
	11	0.12	2.25
2 x 1 1/2	11	0.12	2.66
3 x 1	16	0.063	1.71
	14	0.083	2.1
	11	0.12	3.05
3 x 1 1/2	16	0.063	1.9
	14	0.083	2.38
	11	0.12	3.48
3 x 2	14	0.083	2.67
	11	0.12	3.9
	3/16	0.1875	5.59
	1/4	0.25	7.11
3 1/2 x 2 1/2	3/16	0.1875	6.87
	1/4	0.25	8.81
4 x 2	14	0.083	3.23
	11	0.12	4.75
	3/16	0.1875	6.87
	1/4	0.25	8.8
	5/16	0.3125	10.58
	3/8	0.375	12.16
4 x 3	11	0.12	5.6
	3/16	0.1875	8.15
	1/4	0.25	10.51
	5/16	0.3125	12.7
5 x 2	11	0.12	5.6
	3/16	0.1875	8.15
	1/4	0.25	10.51
	5/16	0.3125	12.7
5 x 2 1/2	3/16	0.1875	8.76
	1/4	0.25	11.35
5 x 3	11	0.12	6.45
	3/16	0.1875	9.42
	1/4	0.25	12.21
	5/16	0.3125	14.83
	3/8	0.375	17.27
	1/2	0.5	21.63
5 x 4	3/16	0.1875	10.71
	1/4	0.25	13.91
	5/16	0.3125	16.96

	3/8	0.375	19.82
6 x 2	11	0.12	6.45
	3/16	0.1875	9.42
	1/4	0.25	12.21
	5/16	0.3125	14.83
	3/8	0.375	17.27
6 x 3	3/16	0.1875	10.7
	1/4	0.25	13.91
	5/16	0.3125	16.96
	3/8	0.375	19.82
	1/2	0.5	25.03
6 x 4	3/16	0.1875	11.97
	1/4	0.55	15.62
	5/16	0.3125	19.08
	3/8	0.375	22.37
	1/2	0.5	28.43
7 x 3	3/16	0.1875	11.97
	1/4	0.25	15.62
	5/16	0.3125	19.08
	3/8	0.375	22.37
7 x 4	3/16	0.1875	13.25
	1/4	0.25	17.32
	5/16	0.3125	21.21
	3/8	0.375	24.93
	1/2	0.5	31.84
7 x 5	3/16	0.1875	14.53
	1/4	0.25	19.02
	5/16	0.3125	23.34
	3/8	0.375	27.48
	1/2	0.5	35.24
8 x 2	3/16	0.1875	11.97
	1/4	0.25	15.62
	5/16	0.3125	19.08
	3/8	0.375	22.37
8 x 3	3/16	0.1875	13.25
	1/4	0.25	17.32
	5/16	0.3125	21.21
	3/8	0.375	24.93
	1/2	0.5	31.84
8 x 4	3/16	0.1875	14.53
	1/4	0.25	19.02
	5/16	0.3125	23.34
	3/8	0.375	27.48
	1/2	0.5	35.24
	5/8	0.625	42.27
8 x 6	3/16	0.1875	17.08
	1/4	0.25	22.42

	5/16	0.3125	27.59
	3/8	0.375	32.58
	1/2	0.5	42.05
	5/8	0.625	50.77
10 x 2	3/16	0.1875	14.53
	1/4	0.25	19.02
	5/16	0.3125	23.34
10 x 3	3/16	0.1875	15.8
	1/4	0.25	20.72
10 x 4	3/16	0.1875	17.08
	1/4	0.25	22.42
	5/16	0.3125	27.59
	3/8	0.375	32.58
	1/2	0.5	42.05
10 x 5	1/4	0.25	24.12
	5/16	0.3125	29.72
	3/8	0.375	35.14
	1/2	0.5	45.12
10 x 6	3/16	0.1875	19.63
	1/4	0.25	25.82
	5/16	0.3125	31.84
	3/8	0.375	37.69
	1/2	0.5	48.85
	5/8	0.625	59.32
10 x 8	1/4	0.25	29.23
	5/16	0.3125	36.1
	3/8	0.375	42.79
	1/2	0.5	55.66
12 x 2	3/16	0.1875	17.18
	1/4	0.25	22.42
12 x 3	3/16	0.1875	18.35
	1/4	0.25	24.12
12 x 4	3/16	0.1875	19.63
	1/4	0.25	25.82
	5/16	0.3125	31.84
	3/8	0.375	37.69
	1/2	0.5	48.85
	5/8	0.625	59.32
12 x 6	3/16	0.1875	22.18
	1/4	0.25	29.23
	5/16	0.3125	36.1
	3/8	0.375	42.79
	1/2	0.5	55.66
	5/8	0.625	67.82
12 x 8	1/4	0.25	32.63
	5/16	0.3125	40.35
	3/8	0.375	47.9

	1/2	0.5	62.46
	5/8	0.625	76.33
14 x 4	1/4	0.25	29.23
	5/16	0.3125	36.1
	3/8	0.375	42.79
	1/2	0.5	55.66
14 x 6	1/4	0.25	32.63
	5/16	0.3125	40.35
	3/8	0.375	47.9
	1/2	0.5	62.46
14 x 10	5/16	0.3125	48.86
	3/8	0.375	58.1
	1/2	0.5	76.07
	5/8	0.625	93.25
16 x 4	5/16	0.3125	40.35
	3/8	0.375	47.9
	1/2	0.5	62.46
16 x 8	5/16	0.3125	48.86
	3/8	0.375	58.1
	1/2	0.5	76.07
16 x 12	5/16	0.3125	57.36
	3/8	0.375	68.31
	1/2	0.5	89.68
18 x 6	5/16	0.3125	48.86
	3/8	0.375	58.1
	1/2	0.5	76.07
20 x 4	5/16	0.3125	48.86
	3/8	0.375	58.1
	1/2	0.5	76.07
20 x 8	5/16	0.3125	57.36
	3/8	0.375	68.31
	1/2	0.5	89.68
20 x 12	5/16	0.3125	65.87
	3/8	0.375	78.52
	1/2	0.5	103.2
	5/8	0.625	127.37

Landscape Edging

Sheared	16g 4" x 120"
Rnd Edge	16g 4" x 120" rolled top safety edge
Galv Edge	16g galvanized rolled to safety edge
Landscape Stakes	

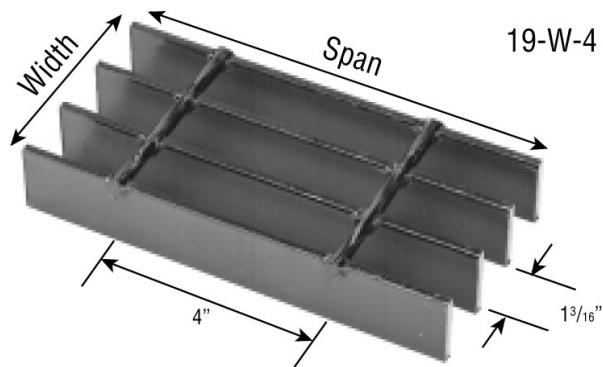
Culvert

2 2/3" x 1/2" Helical or Annular

Pipe Dia Inches	Water Way Area Sf Ft	16g	14g	12g	10g	8g	Equivalent Arched size
6		4.9					
8		6.4					
10		7.9					
12	0.8	9.5	11.9	16.7			
15	1.2	11.7	14.8	20			18 x 11
18	1.8	14.1	17.6	24.4			22 x 13
21	2.4	16.3	20.4	28.3			25 x 16
24	3.1	18.6	23.3	32.2			29 x 18
30	4.9	23.1	28.9	40.1	51.6	61.3	36 x 22
36	7.1	27.7	34.6	47.9	60.3	73.3	43 x 27
42	9.6	32.3	40.3	55.9	70.1	85.4	50 x 31
48	12.6	36.7	45.9	63.7	80	97.3	58 x 36
54	15.9	41	51.2	72.8	89.9	109.4	65 x 40
60	19.6		56.8	80.8	99.7	121.4	72 x 44
66	23.8		62.4	88.8	109.6	133.4	
72	28.3			95	119.5	145.4	
78	33.7				129.4	157.4	
84	38.5				139.2	169.4	
90	44.2				149.2	181.6	
96	50.3				160	193.4	

Bar Grating (Floor Grating)

Bearing Bars		Cross Bars	Type 19-W-4
			Lbs/SqFt
3/4	1/8	1/4	3.99
	3/16	1/4	5.67
1	1/8	1/4	5.15
	3/16	1/4	7.35
1 1/4	1/8	1/4	6.20
	3/16	1/4	9.03
1 1/2	1/8	1/4	7.35
	3/16	5/16	10.94
1 3/4	3/16	5/16	12.62
2	3/16	5/16	14.30
2 1/4	3/16	5/16	15.87
2 1/2	3/16	5/16	17.55



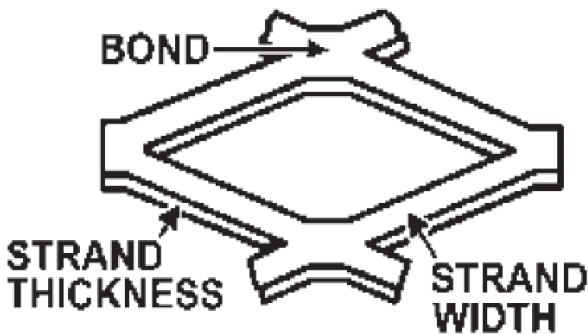
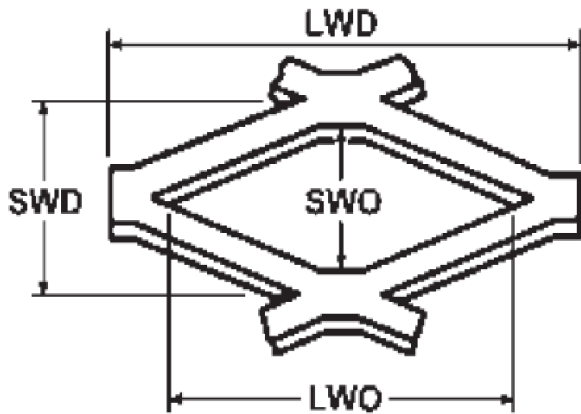
Expanded Metal Flattened Expanded Metal

Style	Lb/SqFt	Design Size		Opening Size		Thickness	% Open Area
		SWD	LWD	SWO	LWO		
1/4" #20	0.82	0.25	1.05	0.084	0.715	0.03	35
1/4" #18	1.08	0.25	1.05	0.075	0.715	0.04	35
1/2" #20	0.4	0.5	1.25	0.375	1	0.029	65
1/2" #40	0.38	0.5	1.25	0.38	1	0.04	77
1/2" #18	0.66	0.5	1.25	0.312	1	0.039	60
1/2" #16	0.82	0.5	1.25	0.312	1	0.05	63
1/2" #13	1.4	0.5	1.25	0.265	1	0.07	52
3/4" #16	0.51	0.923	2.1	0.75	1.75	0.048	74
3/4" #14	0.63	0.923	2.1	0.688	1.813	0.061	74
3/4" #13	0.75	0.923	2.1	0.688	1.781	0.07	74
3/4" #10	1.14	0.923	2.1	0.637	1.755	0.07	68
3/4" #9	1.71	0.923	2.1	0.563	1.688	0.12	63
1" #16	0.41	1	2.5	0.813	2.25	0.05	78
1 1/2" #16 Lt	0.29	1.33	3.2	1.175	2.62	0.05	83
1 1/2" #16	0.38	1.33	3.2	1.062	2.75	0.048	83
1 1/2" #14	0.46	1.33	3.2	1.062	2.75	0.06	80
1 1/2" #13	0.57	1.33	3.2	1.062	2.75	0.07	80
1 1/2" #9	1.14	1.33	3.2	1	2.563	0.11	75

Raised Expanded Metal

Style	Lb/SqFt	Design Size		Opening Size		Thickness	% Open Area
		SWD	LWD	SWO	LWO		
1/4" #20	0.86	0.25	1	0.125	0.718	0.135	45
1/4" #18	1.14	0.25	1	0.11	0.718	0.147	43
1/2" #20	0.43	0.5	1	0.435	0.938	0.14	80
1/2" #40	0.4	0.5	1.2	0.44	0.938	0.11	82
1/2" #18	0.7	0.5	1.2	0.438	0.938	0.172	72
1/2" #16	0.86	0.5	1	0.375	0.938	0.175	65
1/2" #13	1.47	0.5	1.2	0.312	0.938	0.204	57
3/4" #16	0.54	0.923	2	0.813	1.75	0.21	78
3/4" #13	0.8	0.923	2	0.75	1.688	0.205	76
3/4" #10	1.2	0.923	2	0.75	1.625	0.29	72
3/4" #9	1.8	0.923	2	0.688	1.562	0.312	68
1" #16	0.44	1	2.4	0.938	2.062	0.192	82
1 1/2" #18	0.2	1.33	3	1.313	2.625	0.14	90
1 1/2" #16	0.4	1.33	3	1.25	2.625	0.23	85
1 1/2" #13	0.6	1.33	3	1.188	2.5	0.242	85
1 1/2" #10	0.79	1.33	3	1.188	2.5	0.284	80
1 1/2" #9	1.2	1.33	3	1.125	2.375	0.312	76
1 1/2" #6	2.5	1.33	3	1.11	2.313	0.433	69
2" #10	0.68	1.85	4	1.625	3.438	0.327	82

2" #9	0.9	1.85	4	1.563	3.375	0.312	84
-------	-----	------	---	-------	-------	-------	----



DESIGN SIZE

Actual dimensions SWD and LWD. Measure point to a corresponding point on the design shown.

SWD

Nominal dimension Short Way of Design

SWO

Short Way of Opening

LWD

Nominal dimension Long Way of Design

LWO

Long Way of Opening

STRANDS

The sides of the expanded metal design

STRAND THICKNESS

Gauge thickness of metal expanded

STRAND WIDTH

Amount of metal fed under dies to produce one strand.

BOND

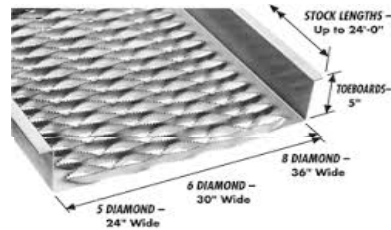
The solid intersection of two strands

Expanded Metal Grating

Style	Lb/SqFt	Design Size		Opening Size		Thickness	% Open Area
		SWD	LWD	SWO	LWO		
3 lb	3	1.33	5.33	0.94	3.44	0.54	60
3.14 lb	3.14	2	6	1.625	4.88	0.656	69
4 lb	4	1.33	5.33	0.94	3.44	0.618	55
4.27 lb	4.27	1.41	4	1	2.88	0.625	58
5 lb	5	1.33	5.33	0.813	3.38	0.655	50
6.25 lb	6.25	1.41	5.33	0.813	3.38	0.715	50
7 lb	7	1.41	5.33	0.813	3.38	0.74	45

Grip Strut

Side Channel Available	Type Available	Gauge	Product Widths
1 1/2"	Galvanized	14ga	4 3/4"
2"		12ga	7"
2 1/2"	HR P&O	14ga	9 1/2"
3"		12ga	11 3/4"
	5052-H32 AL	.080"	18 3/4"
		.100"	24"



DESIGN SIZE

Actual dimensions SWD and LWD. Measured from a point to a corresponding point on the design shown.

SWD

Nominal dimension Short Way of Design

SWO

Short Way of Opening

LWD

Nominal dimension Long Way of Design

LWO

Long Way of Opening

STRANDS

The sides of the expanded metal design.

STRAND THICKNESS

Gauge thickness of metal expanded.

STRAND WIDTH

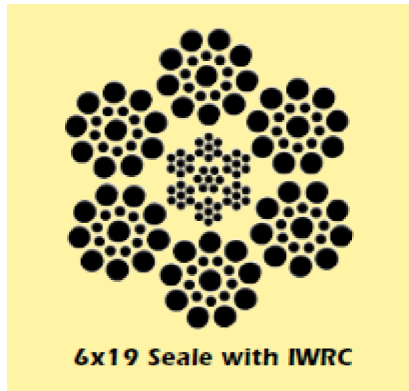
Amount of metal fed under dies to produce one strand.

BOND

The solid intersection of two strands.

Wire Rope

IWRC (Independent Wire Rope and Core)



Size	Lbs/Ft	Breaking Strength in Tons
1/4"	0.116	3.4
5/16"	0.18	5.27
3/8"	0.26	7.55
7/16"	0.35	10.2
1/2"	0.46	13.3
9/16"	0.59	16.8
5/6"	0.72	20.6
3/4"	1.04	29.4
7/8"	1.42	39.8
1"	1.85	51.7
1 1/8"	2.34	65
1 1/4"	2.89	79.9
1 3/8"	3.5	96
1 1/2"	4.16	114
1 5/8"	4.88	132
1 3/4"	5.67	153
1 7/8"	6.5	174
2"	7.39	198

Wire Rope

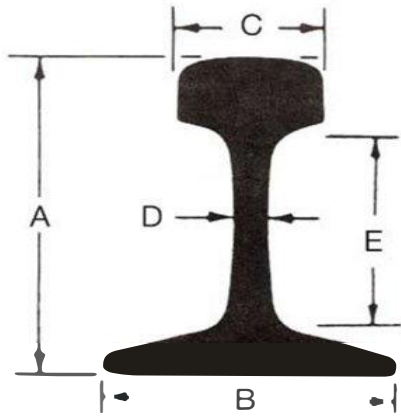
American Society of Civil Engineers

SECTION INDEX or WEB MARKS	DEPTH IN INCHES	WIDTH IN INCHES		WEIGHT PER YARD IN POUNDS	JOINT BARS	
		BASE	HEAD		SECTION INDEX	WEIGHT PER FOOT IN POUNDS
11040	6 1/8	6 1/8	2 7/8	110	S-11040	
10040	5 3/4	5 3/4	2 3/4	100	S-10040	15.8
9540	5 9/16	5 9/16	2 11/16	95	S-9540	14.7
9040	5 3/8	5 3/8	2 5/8	90	S-9040	13.5
9020	5 5/8	5 1/8	2 9/16	90		
8540	5 3/16	5 3/16	2 9/16	85	S-8540	12.4
8040	5	5	2 1/2	80	S-8040	11.5
7540	4 13/16	4 13/16	2 15/32	75	S-7540	10.7
7040	4 5/8	4 5/8	2 7/16	70	S-7040	10
6540	4 7/16	4 7/16	2 13/32	65	S-6540	9.2
6040	4 1/4	4 1/4	2 3/8	60	S-6040	8.4
5540	4 1/16	4 1/16	2 1/4	55	S-5540	7.5
5040	3 7/8	3 7/8	2 1/8	50	S-5040	6.62
4540	3 11/16	3 11/16	2	45	S-4540	5.8
4040	3 1/2	3 1/2	1 7/8	40	S-4040	5
3540	3 5/16	3 5/16	1 3/4	35	S3540	4.58
3040	3 1/8	3 1/8	1 11/16	30	S-3040	3.97
2540	2 3/4	2 3/4	1 1/2	25	S-2540	2.2
2040	2 5/8	2 5/8	1 11/32	20	S-2040	1.87
1640	2 3/8	2 3/8	1 11/64	16	S-1640	1.7
1240	2	2	1	12	S-1240	1.36
841	1 9/16	1 9/16	25/32	8	S-840	0.75



Jiangsu Haixun Group Share Co., Ltd

HAIXUN GROUP



- A - Height
- B - Width of base
- C - Width of head
- D - Web
- E - Fishing

Email: railwaybusiness@gmail.com

Steel Pipe

Size Inches	Outside Dia. Inches	Schedule	Wall Inches	Inside Dia. Inches	Wt./Ft. Pound
1/8	0.405	40	0.068	0.269	0.240
		80	0.095	0.215	0.310
1/4	0.54	40	0.088	0.364	0.420
		80	0.119	0.302	0.540
3/8	0.675	40	0.091	0.493	0.570
		80	0.126	0.423	0.740
1/2	0.84	40	0.109	0.622	0.850
		80	0.147	0.546	1.090
		160	0.187	0.466	1.300
		XXH	0.294	0.252	1.710
3/4	1.05	40	0.113	0.824	1.130
		80	0.154	0.742	1.470
		160	0.218	0.614	1.940
		XXH	0.308	0.434	2.440
1	1.315	40	0.133	1.048	1.680
		80	0.179	0.957	2.170
		160	0.250	0.815	2.840
		XXH	0.358	0.599	3.660
1 1/4	1.66	10	0.109	1.442	1.810
		40	0.140	1.380	2.270
		80	0.191	1.278	3.000
		160	0.250	1.160	3.770
		XXH	0.382	0.896	5.210
1 1/2	1.9	10	0.109	1.682	2.090
		40	0.145	1.610	2.720
		80	0.200	1.500	3.630
		160	0.281	1.338	4.860
		XXH	0.400	1.100	6.410
2	2.375	10	0.109	2.157	2.640
		40	0.154	2.067	3.650
		80	0.218	1.939	5.020
		160	0.343	1.689	7.460
		XXH	0.436	1.503	9.030
2 1/2	2.875	10	0.125	2.635	3.530
		40	0.203	2.469	5.790
		80	0.276	2.323	7.660
		160	0.375	2.125	10.010
		XXH	0.552	1.771	13.660
3	3.5	10	0.188	3.125	4.340
		40	0.216	3.068	7.580
		80	0.300	2.900	10.250

		160	0.438	2.624	14.320
		XXH	0.600	2.300	18.580
3 1/2	4	40	0.226	3.548	9.110
		80	0.318	3.364	12.500
4	4.5	10	0.188	4.125	5.620
		40	0.237	4.026	10.790
		80	0.337	3.826	14.980
		120	0.438	3.624	19.000
		160	0.531	3.438	22.510
		XXH	0.674	3.152	27.540
5	5.563	40	0.258	5.047	14.620
		80	0.375	4.813	20.780
		120	0.500	4.563	27.040
		160	0.625	4.313	32.960
		XXH	0.750	4.063	38.550
6	6.625	10	0.134	6.357	9.289
	STD	40	0.280	6.056	18.970
		80	0.432	5.761	28.570
		120	0.562	5.491	36.390
		160	0.718	5.189	45.300
		XXH	0.864	4.897	53.160
8	8.625	20	0.250	8.125	22.360
		30	0.277	8.071	24.700
	STD	40	0.322	7.981	28.550
		60	0.406	7.813	35.640
		80	0.500	7.625	43.390
		100	0.594	7.439	50.950
		120	0.719	7.189	60.710
		140	0.812	7.001	67.760
		XXH	0.875	6.875	72.420
		160	0.096	6.813	74.690
10	10.75	20	0.250	10.250	28.040
		30	0.307	10.136	34.240
	STD	40	0.365	10.020	40.480
		60	0.500	9.750	54.740
		80	0.594	9.564	64.430
		100	0.719	9.224	77.030
		120	0.844	9.064	89.290
		140	1.000	8.750	104.130
		160	1.125	8.500	115.640
12	12.75	20	0.250	12.250	33.380
		30	0.330	12.090	43.770
	STD		0.375	12.000	49.560
		40	0.406	11.938	53.520
			0.500	11.750	65.420
		60	0.562	11.626	73.150
		80	0.688	11.376	88.630

12		100	0.844	11.064	107.320
		120	1.000	10.750	125.490
		140	1.125	10.500	139.670
		160	1.312	10.126	160.270
14	14	10	0.250	13.500	36.710
		20	0.312	13.376	45.610
	STD	30	0.375	13.250	54.570
		40	0.438	13.124	63.440
			0.500	13.000	72.090
		60	0.594	12.814	85.050
		80	0.750	12.500	106.130
		100	0.938	12.126	130.850
		120	1.094	11.814	150.790
		140	1.250	11.500	170.210
		160	1.406	11.188	189.110
16	16	10	0.250	15.500	42.050
		20	0.312	15.376	52.270
	STD	30	0.375	15.250	62.580
		40	0.500	15.000	82.770
		60	0.656	14.688	107.500
		80	0.844	14.314	136.610
		100	1.031	13.938	164.820
		120	1.219	13.564	192.430
		140	1.438	13.124	223.640
		160	1.594	12.814	245.250
18	18	10	0.250	17.500	47.390
		20	0.312	17.376	58.940
	STD		0.375	17.250	70.590
		30	0.438	17.124	82.150
			0.500	17.000	93.450
		40	0.562	16.876	104.670
		60	0.750	16.500	138.170
		80	0.938	16.126	170.920
		100	1.156	15.688	207.960
		120	1.375	15.250	244.100
		140	1.562	14.876	274.220
		160	1.781	14.438	308.500
20	20	10	0.250	19.500	52.730
	STD	20	0.375	19.250	78.600
		30	0.500	19.000	104.130
		40	0.594	18.814	123.110
		60	0.812	18.376	166.400
		80	1.031	17.938	208.870
		100	1.281	17.438	256.100
		120	1.500	17.000	296.400
		140	1.750	16.500	341.100
		160	1.968	16.064	379.000

24	24	10	0.250	23.500	63.410
	STD	20	0.375	23.250	94.620
			0.500	23.000	125.490
		30	0.562	22.876	140.680
		40	0.688	22.626	171.290
		60	0.969	22.064	238.350
		80	1.219	21.564	296.580
		100	1.531	20.938	367.400
		120	1.812	20.376	429.400
		140	2.062	19.876	483.100
		160	2.343	19.314	541.900
30	30	10	0.312	29.376	98.930
	STD		0.375	29.250	118.650
		20	0.500	29.000	157.530
		30	0.625	28.750	196.080
36	36	STD	0.375	35.250	142.680
			0.500	35.000	189.570
38	38		0.312		125.580
	STD		0.375		150.690
			0.500		200.250
40	40		0.312		132.250
	STD		0.375		158.700
			0.500		210.930
42	42		0.312		138.910
	STD		0.375		166.710
			0.500		221.610

Sheet Steel

Gauge	US Standard Gauge	Sheet Steel	
	(inches)	Gauge Decimal	Weight
		(inches)	(lb/ft ²)
30	0.0125	0.012	0.5
29	0.0141	0.0135	0.563
28	0.0156	0.0149	0.625
27	0.0172	0.0164	0.688
26	0.0188	0.0179	0.75
25	0.0219	0.0209	0.875
24	0.025	0.0239	1
23	0.0281	0.0269	1.125
22	0.0313	0.0299	1.25
21	0.0344	0.0329	1.375
20	0.0375	0.0359	1.5
19	0.0438	0.0418	1.75
18	0.05	0.0478	2
17	0.0563	0.0538	2.25
16	0.0625	0.0598	2.5
15	0.0703	0.0673	2.813
14	0.0781	0.0747	3.125
13	0.0938	0.0897	3.75
12	0.1094	0.1046	4.375
11	0.125	0.1196	5
10	0.1406	0.1345	5.625
9	0.1563	0.1495	6.25
8	0.1719	0.1644	6.875
7	0.1875	0.1793	7.5
6	0.2031	0.1943	8.125
5	0.2188	0.2092	8.75
4	0.2344	0.2242	9.375
3	0.25	0.2391	10
2	0.2656		
1	0.2813		

Plate Steel

A-36/High Strength/AR

Size in Inches	Stock Widths	Dec. Equiv	Weight Per Square Ft.
3/16	4', 5',	0.188	7.67
1/4		0.25	10.21
5/16		0.313	12.78

3/8		0.375	15.32
7/16		0.438	17.89
1/2		0.5	20.42
9/16		0.563	22.99
5/8		0.625	25.53
11/16		0.688	28.10
3/4		0.75	30.63
13/16		0.813	33.20
7/8		0.875	35.74
15/16		0.938	38.31
1		1	40.84
1 1/16		1.063	43.41
1 1/8		1.125	45.95
1 3/16		1.188	48.52
1 1/4		1.25	51.05
1 5/16		1.313	53.63
1 3/8		1.375	56.16
1 7/16		1.438	58.73
1 1/2		1.5	61.26
1 9/16		1.563	63.83
1 5/8		1.625	63.37
1 11/16		1.688	68.94
1 3/4		1.75	71.47
1 13/16		1.813	74.04
1 7/8		1.875	76.58
1 15/16		1.938	79.15
2	8, 10, 12, 20 Ft.	2	81.68
2 1/16		2.063	84.25
2 1/8		2.125	86.79
2 3/16		2.188	89.36
2 1/4		2.25	91.89
2 5/16		2.313	94.46
2 3/8		2.375	97.00
2 7/16		2.438	99.57
2 1/2		2.5	102.10
2 9/16		2.563	104.67
2 5/8		2.625	107.21
2 11/16		2.688	109.77
2 3/4		2.75	112.31
2 13/16		2.813	114.88
2 7/8		2.875	117.42
2 15/16		2.938	119.99
3		3	122.52
3 1/4		3.25	132.73
3 1/2		3.35	142.94

Gauge	US	Sheet Steel	
	Standard Gauge	Gauge Decimal (inches)	Gauge (inches)
	(inches)		
44	0.0047		
43	0.0049		
42	0.0051		
41	0.0053		
40	0.0055		
39	0.0059		
38	0.0063	0.006	
37	0.0066	0.0064	
36	0.007	0.0067	
35	0.0078	0.0075	
34	0.0086	0.0082	
33	0.0094	0.009	
32	0.0102	0.0097	
31	0.0109	0.0105	
30	0.0125	0.012	
29	0.0141	0.0135	
28	0.0156	0.0149	
27	0.0172	0.0164	
26	0.0188	0.0179	
25	0.0219	0.0209	
24	0.025	0.0239	
23	0.0281	0.0269	
22	0.0313	0.0299	
21	0.0344	0.0329	
20	0.0375	0.0359	
19	0.0438	0.0418	
18	0.05	0.0478	
17	0.0563	0.0538	
16	0.0625	0.0598	
15	0.0703	0.0673	
14	0.0781	0.0747	
13	0.0938	0.0897	
12	0.1094	0.1046	
11	0.125	0.1196	
10	0.1406	0.1345	
9	0.1563	0.1495	
8	0.1719	0.1644	
7	0.1875	0.1793	
6	0.2031	0.1943	
5	0.2188	0.2092	
4	0.2344	0.2242	
3	0.25	0.2391	

3 3/4		3.75	153.15
4		4	163.36
4 1/4		4.25	173.57
4 1/2		4.5	183.78
4 3/4		4.75	193.99
5		5	204.20
5 1/2		5.5	224.62
6		6	245.04
6 1/2		6.5	265.46

2	0.2656	
1	0.2813	

Floor Plate

Size in ga. /Inches	Stock Widths	Weight Per Square Foot
16ga.	48	3
14ga.	48	3.75
	60	3.75
12ga.	48	5.25
	60	5.25
1/8	48	6.16
	60	6.16
	72	6.16
3/16	48	8.71
	60	8.71
	72	8.71
1/4	48	11.26
	60	11.26
	72	11.26
	96	11.26
5/16	48	13.81
	60	13.81
	72	13.81
	96	13.81
3/8	48	16.37
	60	16.37
	72	16.37
	96	16.37
1/2	48	21.47
	60	21.47
	72	21.47
	96	21.47

			0.2656		0.2576		0.284
			0.2812		0.2893		0.3

***Drawn Over Mandrel (DOM) Round Mechanical Tubing**

is a cold drawn 1020 / 1026 electric resistance welded tube with all the flash removed prior to cold drawing.

In comparison to other tubing,

DOM round tubing is produced to more exact OD and ID tolerances, and has the highest weld strength possible.

Made from 1020 / 1026 Steel

Meets ASTM A513 Type 5

Stocked Size Range: 3/16" – 14" OD; .028" – .625" wall thickness

Stocked in 20' random lengths

Cut to length sizes

Suitable to hone sizes

Imperial and metric sizes

Custom sizes available upon request

Benefits of Drawn Over Mandrel (DOM) Round Mechanical Tubing: Uniform

wall thickness with close OD and ID tolerances

Uniform grain structure and controlled hardness

High Tensile and Yield Strength

Smooth and Clean OD and ID surfaces

Excellent machining characteristics

Applications: Hydraulic Cylinders, Axles, High Speed Shafts, Barrels, Bearings,

Spacers, and many other machined tubular parts.

Outside Diameter Inches	Wall Thickness Inches	Inside Diameter Inches	Weight Per Foot (lbs)
1	0.120	0.76	1.128
1	0.250	0.5	2.003
1.25	0.313	0.625	3.129
1.5	0.125	1.25	1.836
1.5	0.250	1	3.338
1.5	0.375	0.75	4.506
1.75	0.120	1.51	2.089
1.75	0.375	1	5.507
2	0.120	1.76	2.409
2	0.188	1.625	3.63
2	0.375	1.25	6.508
2	0.500	1	8.01
2.25	0.375	1.5	7.509
2.25	0.500	1.25	9.345
2.5	0.375	1.75	8.511
2.5	0.500	1.5	10.68
2.75	0.188	2.375	5.131
2.75	0.375	2	9.512
3	0.375	2.25	10.513
3.25	0.500	2.25	14.685
3.5	0.500	2.5	16.02
3.5	0.625	2.25	19.191
3.5	0.750	2	22.028

4	0.250	3.5	10.013
4	0.500	3	18.69
4.5	0.750	3	30.038
4.5	1.000	2.5	37.38
5	0.500	4	24.03
5.75	0.625	4.5	34.209
6	1.000	4	53.4

Electric Weld Tubing

Outside Diameter	Wall Thickness	Weight/Ft
3/4"	0.083	0.591
1"	0.095	0.918
1 1/4"	0.084	1.034
1 1/2"	0.120	1.769
1 3/4"	0.120	2.089
2"	0.120	2.409
3"	0.065	10.951
3 1/2"	0.120	4.33
4"	0.120	4.973
5"	0.109	5.694
6"	0.109	6.858
8"	0.109	9.186
10"	0.109	11.514
12"	0.109	13.843